

Hayfield Window & Door

Keyed Lock Installation & Handle Adjustment

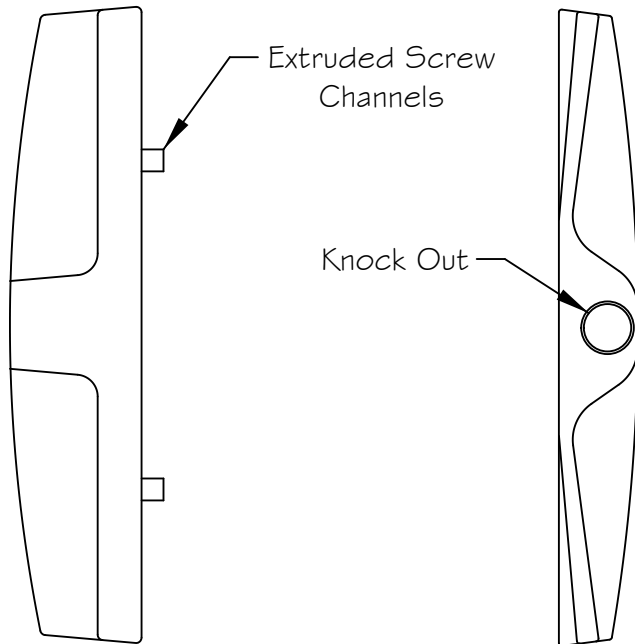


Figure 1
Handle Profile

Figure 2
Handle Face

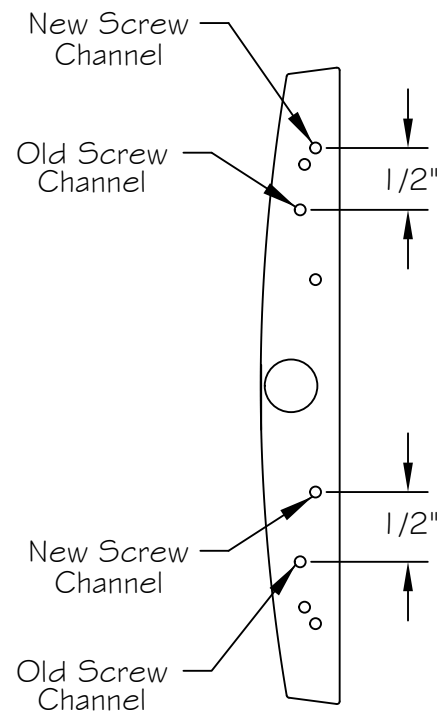


Figure 3
Handle Rear

Step 1; Cut off Extruding Screw channels flush with backside of handle.
Screw Channels shown in Figure 1.

Step 2; Take a hammer & screwdriver and punch out Knock Out in Figure 2.

Step 3; Slip Locking Mechanism into Knock Out hole and align it to the latch/lock on the door.

Step 4; Handle slides 1/2" down and installs in the new screw channels in Figure 3.

Step 5; Adjust handle using new screw channels to allow operation of keyed locked mechanism.